

**PRIMUX® Series**

# PRIMUX

## CAT5 KVM System

## Quick Start Guide



(Host Adapter sold separately)

### What's in the Box

- NTI PRIMUX-UZR User Station
- 120VAC or 240VAC @ 50 or 60Hz, 5VDC/2A AC Adapter
- Line cord, country specific
- Terminating Plug (for last Host Adapter in chain)
- PRIMUX CDROM w/ Owner's Manual and Quick Start Guide (pdf files)
- This Quick Start Guide

### What's also needed (sold separately)

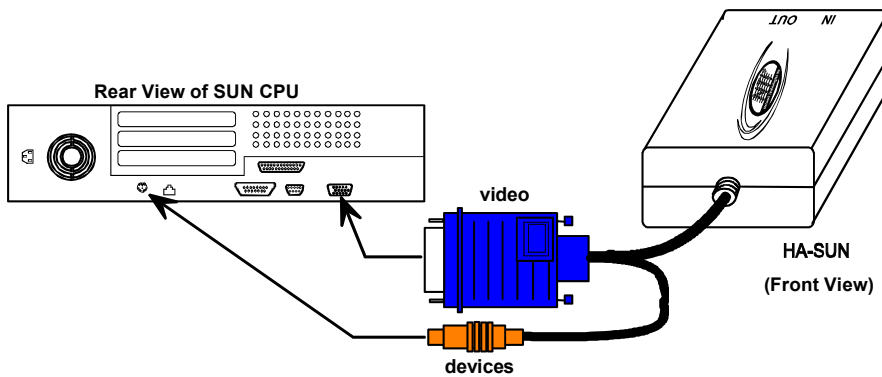
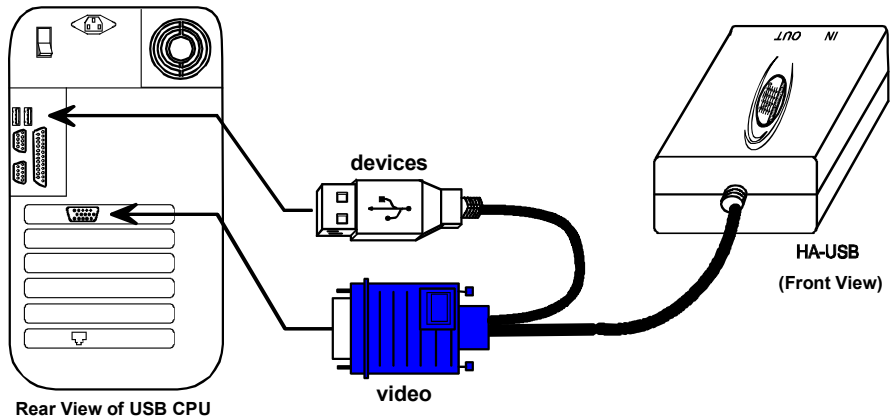
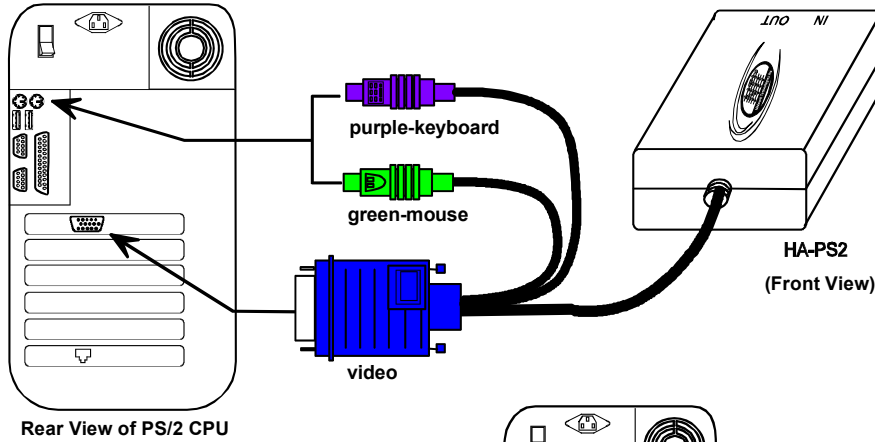
- NTI Host Adapter(s) HA-PS2 / HA-USB / HA-SUN (see chart on page 4)
- CAT5/5e/6 unshielded twisted-pair cable(s) terminated with RJ45 connectors wired straight thru (pin 1 to pin 1, etc.)

## Hardware Setup

1. Disconnect power from the CPU.

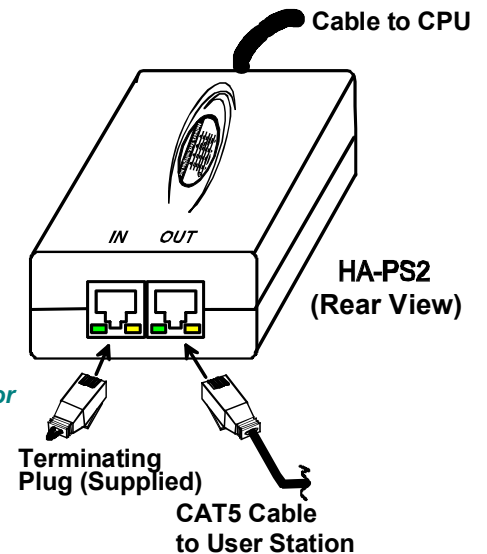
**Note: The Host Adapter must be connected to the CPU before power is connected to the CPU. Failure to do so may result in damage to the Host Adapter.**

2. Plug the Host Adapter into the devices and video ports on the back of the CPU.

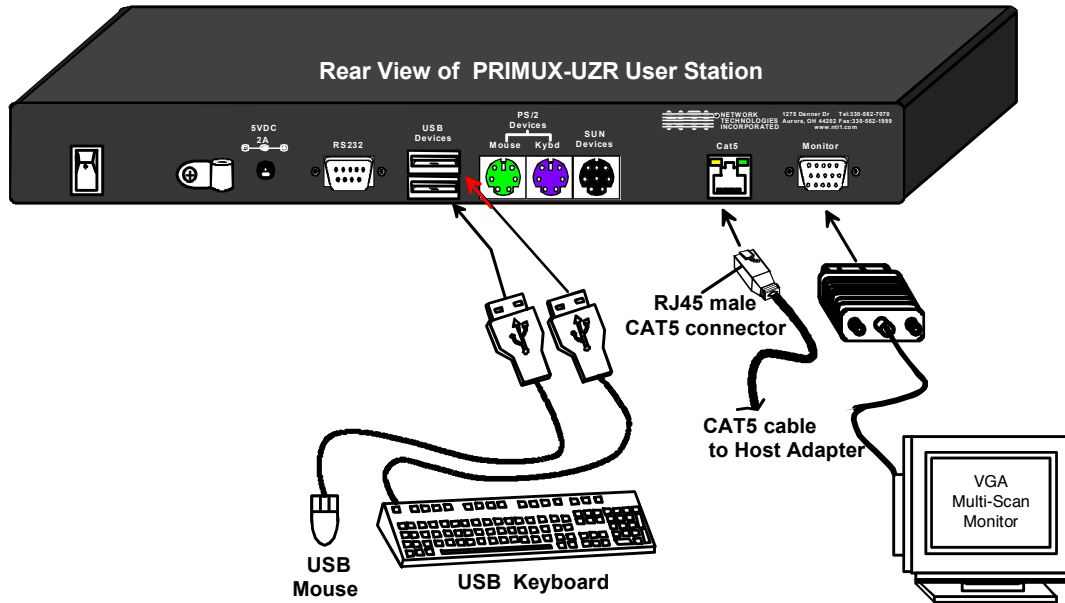


3. Connect a CAT5 cable from the "OUT" port on the Host Adapter to the "CAT5" port on the User Station.
4. Connect the Terminating Plug (supplied) to the "IN" port on the Host Adapter.

**FYI: If more Host Adapters will be connected, follow the instructions that follow for "Daisy-Chained Host Adapters".**



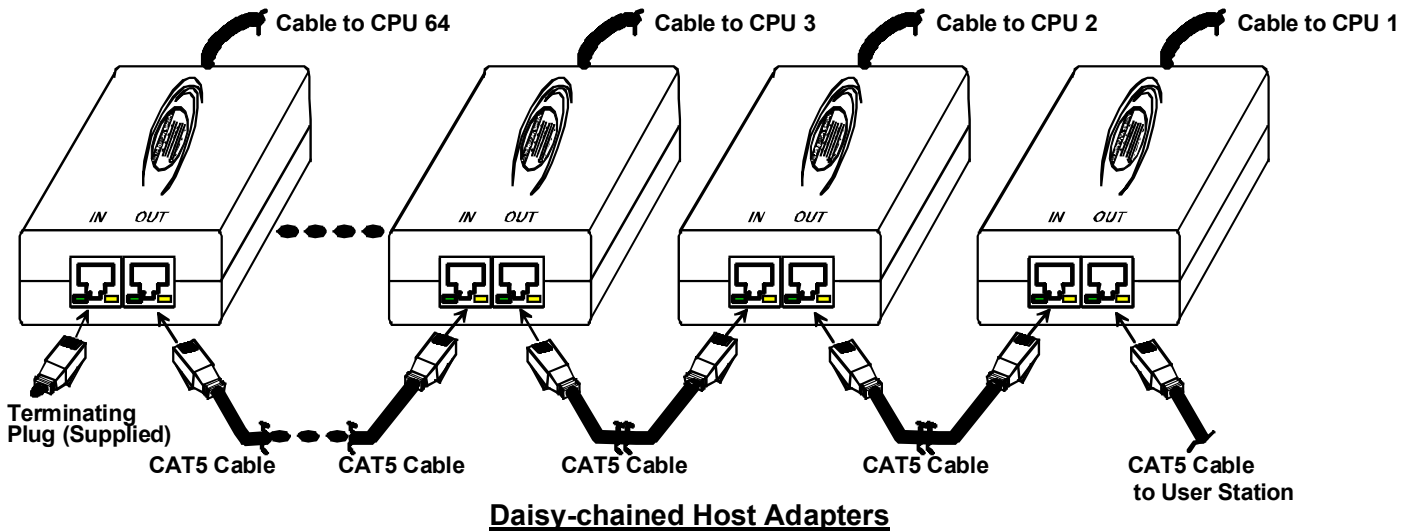
5. Connect the user keyboard and mouse to the proper "DEVICES" port(s) (USB or PS/2) on the User Station. (USB type devices are shown in the following image.)
6. Connect the user monitor to the "MONITOR" port on the User Station.



7. Connect the AC adapter to the "5VDC" port on the User Station.
8. Power-up the monitor and User Station.
9. Plug in the power cord(s) and power-up the CPU(s).

**Daisy-Chained Host Adapters**

Up to 64 CPUs can be connected in a daisy-chain to create a segment of CPUs controlled by a single user from a User Station. (A "segment" is a User Station connected to 1 or more Host Adapters) The first Host Adapter is connected to the User Station via the "OUT" port. Additional Host Adapters in the segment will have CAT5 cable connected from their "OUT" port to another Host Adapter's "IN" port to enable communications between the user and each CPU in the system (see the illustration on the next page). A Terminating Plug must be installed in the "IN" port of the last Host Adapter in the segment.



## Initial Startup

Upon startup, the Command Mode screen will be displayed, autologging you in as **NEWUSER1** without administrative rights. No password will be necessary. As **NEWUSER1** you have full access to all Host Adapters and their connected CPUs.

To logout as a user, press <L> and the login screen will appear

If you logout and want to log back in as **NEWUSER1**, either ;

A) type <**NEWUSER1**> at the login prompt and press <Enter> twice

-or-

B) power-cycle the PRIMUX and be automatically logged-in as **NEWUSER1**

To login as the administrator, enter the following while holding down the <Shift> key:

**administrator name = <ROOT> or <ADMINISTRATOR> (either can be used)**  
**administrator password= <NTI>**

## Make a Connection

1. From Command Mode, press <G> + <xx> where xx is the index number of the desired Host Adapter/CPU to connect to.

Press <Enter> to select the Host Adapter.

Press <Enter> again to connect to the Host Adapter.

-or-

Using the mouse, move the selection bar to the desired Host Adapter listed in the OSD menu and click once to make a connection.

2. Press <X> or <Esc> on the keyboard to exit Command Mode and control the connected CPU.

**Congratulations, you have successfully installed your PRIMUX.**

## Host Adapter Ordering Chart

NTI #	Application
HA-PS2	PS/2 CPU
HA-SUN	SUN CPU
HA-USB	USB CPU (Win,Sun, or Mac)

To order CAT5 cables or Host Adapters, either visit our website at [www.networktechinc.com](http://www.networktechinc.com) or call us at 1-800-RGB-TECH (800-742-8324) or 1-330-562-7070.